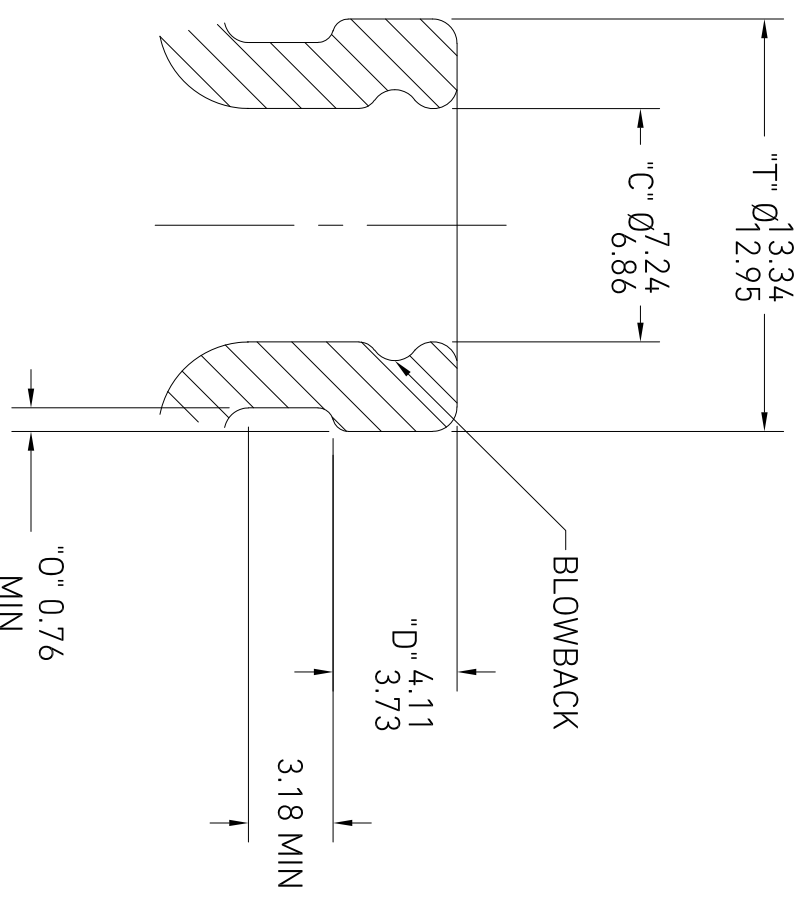
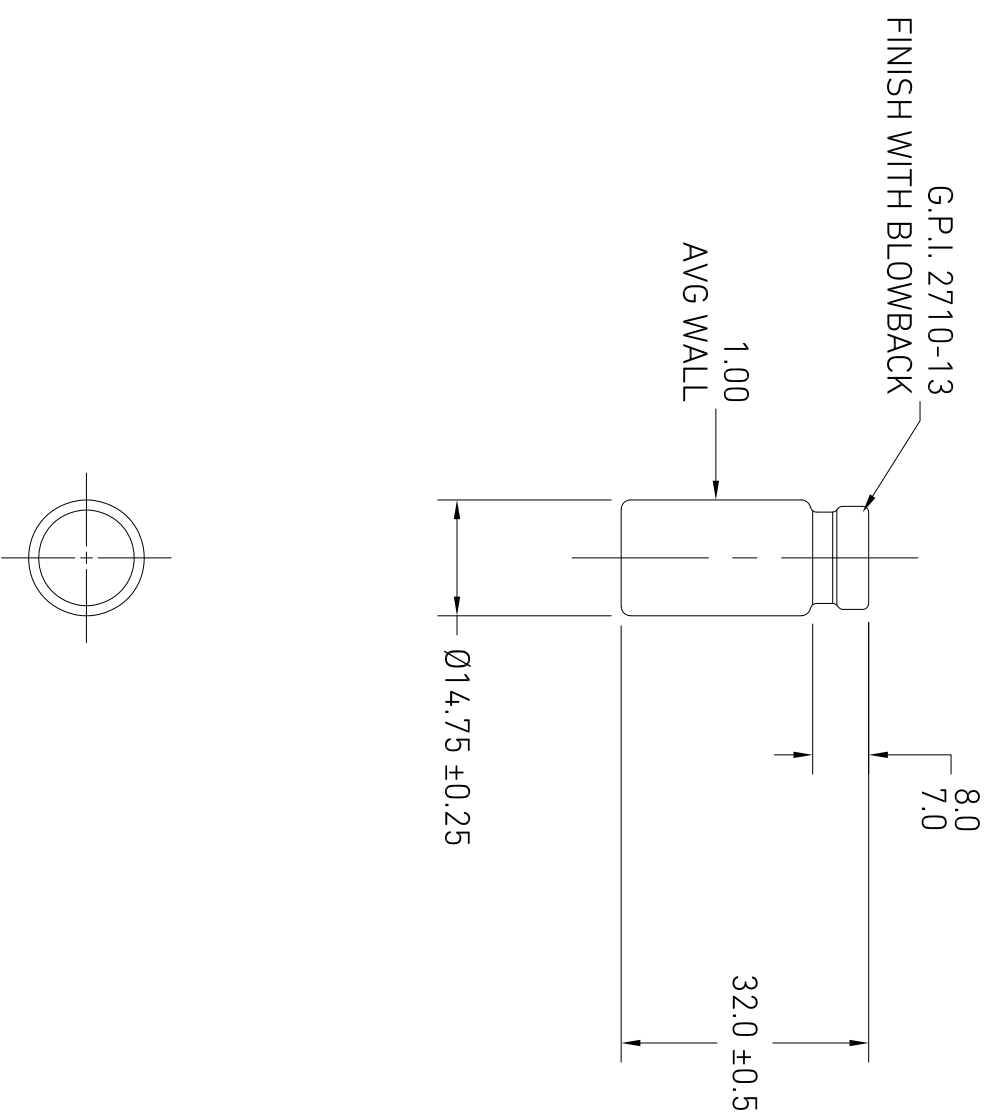


| REV | DESCRIPTION OF CHANGE | DRAWN BY | DATE | ECN |
|-----|-----------------------|----------|----------|-----|
| - | INITIAL RELEASE | JS | 11/07/22 | N/A |

- NOTES:
- CUSTOMER EXCLUSIVE ITEM. NO CHANGES TO PRINT PRIOR TO CUSTOMER APPROVAL.
 - VIAL MUST MEET HYDROLYTIC RESISTANCE TEST "A".
 - VIAL IS SUITABLE FOR FREEZE-DRYING.



FINISH DETAIL
4:1

| ITEM | QTY. | TITLE |
|--|------|--|
| 1 | 1 | TYPE I CLEAR BOROSILICATE GLASS, 33 EXPANSION SEE NOTE 2 |
| MATERIAL: DESCRIPTION AND SPECIFICATIONS | | |

| | | | |
|--|-----------|--|---------------|
| <p>THIS CONFIDENTIAL AND PROPRIETARY DRAWING AND THE INFORMATION IN IT ARE THE PROPERTY OF DURAN WHEATON KIMBLE. IT IS TO BE USED FOR THE MANUFACTURE AND INTENTION THAT NOTHING CONTAINED HEREIN WILL BE REPRODUCED OR DISCLOSED TO THIRD PARTIES WITHOUT THE PRIOR EXPRESS WRITTEN CONSENT OF DWK LIFE SCIENCES. ELECTRONIC OR PAPER COPIES OF THIS PRINT OUTSIDE OF DWK LIFE SCIENCES ARE UNAUTHORIZED AND ARE FOR REFERENCE ONLY UNLESS OTHERWISE STAMPED.</p> | | <p>TOLERANCES UNLESS SPECIFIED X ± 0.2mm XX ± 0.5mm XXX ± 0.15mm</p> | |
| ITEM NUMBER: | WCC000087 | DRAWING NUMBER: | CSD-WC0000087 |
| SAP NUMBER: | WCC000087 | OLD MATERIAL NUMBER: | N/A |
| DRAWN BY: | JS | DRAWN DATE: | 11/07/22 |
| SHEET SIZE: | B | SHEET NUMBER: | 1 OF 1 |
| SHEET SCALE: | | SHEET SCALE: | 1:1 |

