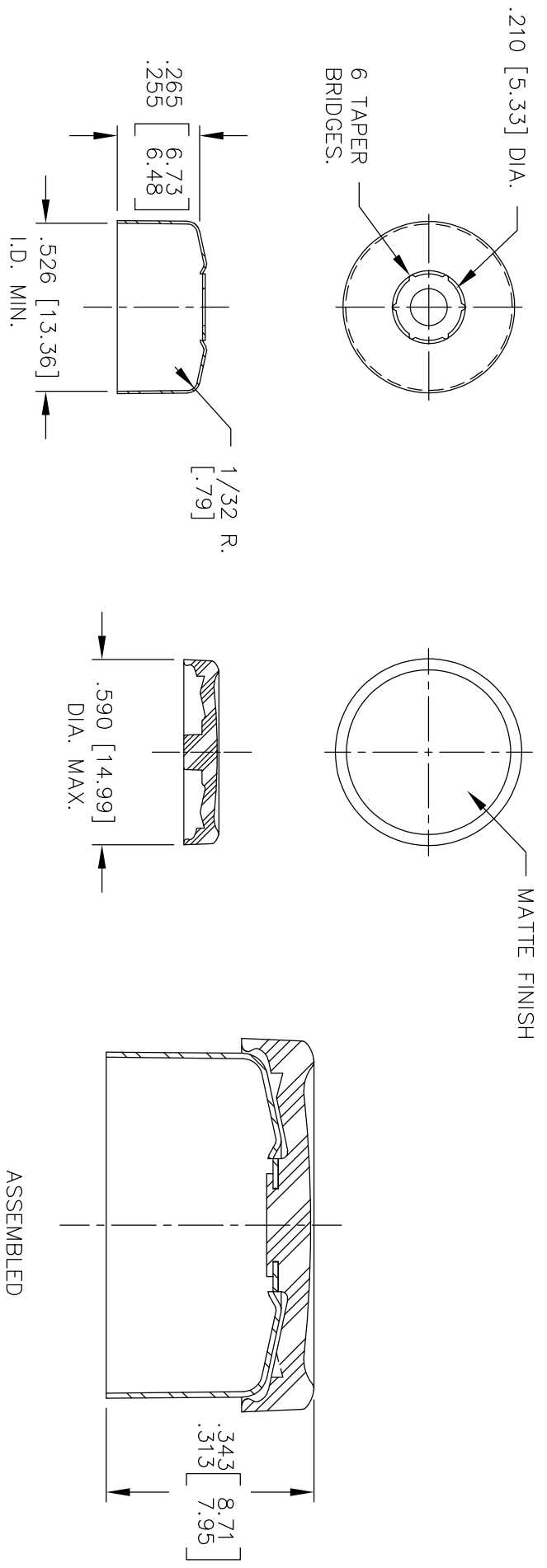


UNCONTROLLED COPY

Notification of changes will not be provided unless requested



ALUMINUM SEAL
 MAT'L.: .008±.001 [.20±.02]
 CAVITY MARKING IS POSSIBLY VISIBLE WHEN LOOKING ON
 THE INNER ALUMINUM SHELL SURFACE.

PLASTIC BUTTON

NOTE: VALUES DENOTED BY [X.XX]
 ARE IN MILLIMETERS.

ASSEMBLED
 SCALE: 4/1



TITLE: 13mm 6 BRIDGES FLIP OFF
 LONG TrueEdge® SEAL
 MATTE TOP BUTTON

SCALE: 2:1 OR
 AS NOTED
 DRAWING NO: 13-F-A-626
 MAT'L. SEE ABOVE
 TOOL CODE:

REV. A
 SIZE A

TOLERANCES UNLESS NOTED	
DECIMAL	METRIC
.XX ± .01	.X ± .3
.XXX ± .005	.XX ± .13
.XXXX ±	.XXX ±
FRACTIONAL: INCH: ± 1/64	
ANGULAR: ± 1°	
SURFACE FINISH: ✓	

REV.	DATE	DESCRIPTION	DR.	APP.
A	25 MAR 2020	SAP 2000019511	HG	FJM

REVISIONS	

APPROVALS	DATE
DWN <i>C. Watson</i>	08 APR '03
CHK'D. <i>B. Rubel</i>	08 APR '03
DWG. APPVD. <i>E. G. Gerstlehead</i>	08 APR '03
TOOL ENGR. <i>A. J. Knight</i>	08 APR '03
PROD. ENGR. N/A	08 APR '03
APPRD N/A	08 APR '03

DO NOT SCALE DRAWING

REFERENCE DWGS.